

Filter

PASSION FOR PERFECTION



Max Series Filter

For residential and semi-commercial pools

Tank Material
HDPE

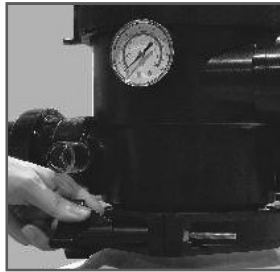
Max Operating Pressure
40 psi/2.8 bar

Max Temperature
50°C (122°F)

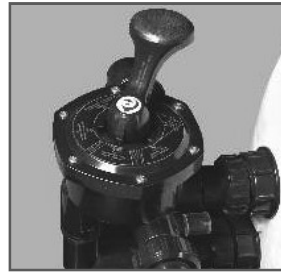
Suggested Size of Media
0.5-0.8mm

USER - FRIENDLY AND INNOVATIVE DESIGN

Emaux's innovative design and advanced technology offer superior filtration performance and crystal clear water. Max series filters are seamless, one-piece blown tanks in high density polyethylene for heavy duty use and reliability.



Unique one-piece clamp with screw-type lock simplifies installation and servicing.



Equipped with a 6-way multiport valve which is constructed with sturdy ABS and marine grade stainless steel.



Easy-to-read pressure gauge for inspection, and one-piece clamp for easy removal of lid and access to interior.



Model: MFS24

Model: MFV17

Max Top Mount Filter is equipped with :

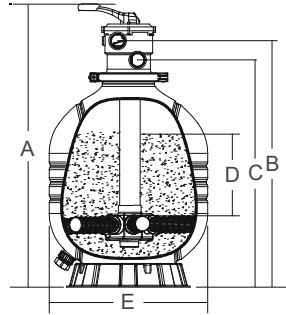
1. 6-way clamp style multiport valve
2. universal standard of union connection
3. pressure gauge
4. PVC & ABS lateral system



INNOVATIVE DESIGN AND SUPERIOR PERFORMANCE

Max Series

Top Mount
Filters (MFV)



Product Dimensions:

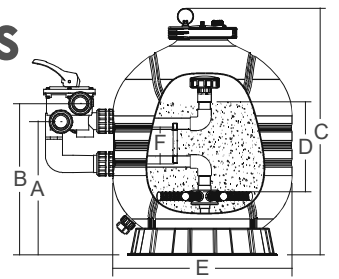
Model	A mm	B mm	C mm	D mm	E mm
MFV17	816	695	625	195	425
MFV20	889	772	712	225	500
MFV24	980	860	800	280	600
MFV24B	1032	873	807	280	600
MFV27A	1081	963	903	300	675
MFV27	1133	976	910	300	675
MFV31A	1126	1008	948	370	775
MFV31	1178	1021	955	370	775
MFV35	1296	1139	1073	440	875

Technical Information

Code	Model	Filter Area (m ²)	Valve Connections	Max Flow Rate	Sand (kg)
88012526	MFV17	0.14	1.5" / 50mm	117lpm 7.0m ³ /h	40
88012527	MFV20	0.20	1.5" / 50mm	167lpm 10.0m ³ /h	70
88012528	MFV24	0.28	1.5" / 50mm	233lpm 14.0m ³ /h	125
88012545	MFV24B	0.28	2.0" / 63mm	233lpm 14.0m ³ /h	125
88012529	MFV27A	0.36	1.5" / 50mm	240lpm 14.4m ³ /h	185
88012530	MFV27	0.36	2.0" / 63mm	300lpm 18.0m ³ /h	185
88012531	MFV31A	0.47	1.5" / 50mm	313lpm 18.8m ³ /h	250
88012532	MFV31	0.47	2.0" / 63mm	392lpm 23.5m ³ /h	250
88012533	MFV35	0.61	2.0" / 63mm	508lpm 30.5m ³ /h	325

Max Series

Side Mount
Filters (MFS)



Product Dimensions:

Model	A mm	B mm	C mm	D mm	E mm	F mm
MFS17	355	418	670	195	425	125
MFS20	396	549	760	225	500	125
MFS24	430	493	825	280	600	125
MFS27A	480	543	946	300	675	125
MFS27	460	546	946	300	675	130
MFS31A	506	569	968	370	775	125
MFS31	508	594	968	370	775	130
MFS35	564	650	1086	440	875	130

Technical Information

Code	Model	Filter Area (m ²)	Valve Connections	Max Flow Rate	Sand (kg)
88012626	MFS17	0.14	1.5" / 50mm	117lpm 7.0m ³ /h	40
88012627	MFS20	0.20	1.5" / 50mm	167lpm 10.0m ³ /h	70
88012628	MFS24	0.28	1.5" / 50mm	233lpm 14.0m ³ /h	125
88012629	MFS27A	0.36	1.5" / 50mm	240lpm 14.4m ³ /h	185
88012630	MFS27	0.36	2.0" / 63mm	300lpm 18.0m ³ /h	185
88012631	MFS31A	0.47	1.5" / 50mm	313lpm 18.8m ³ /h	250
88012632	MFS31	0.47	2.0" / 63mm	392lpm 23.5m ³ /h	250
88012633	MFS35	0.61	2.0" / 63mm	508lpm 30.5m ³ /h	325

Volumetric Filter

For residential and semi-commercial pools

Tank Material

HDPE

Max Operating Pressure

58 psi/4 bar

Max Temperature

50°C (122°F)

Suggested Size of Media

0.5-0.8mm

ENGINEERED FOR THE DIFFERENCE

The one-piece blow molded tank combines the technologies of structural engineering for high-density polyethylene material with manufacturing processes to maximize the strength of the filter. It is perfectly suited for all pools with different disinfection systems (Salt chlorinator, Ozone, UV, and chemical dosing).

The Volumetric Filter is designed for the best clarity of filtered water and has an outstanding pressure standard among the market benchmarks.

The filter incorporates a multiport valve manufactured from robust components to create the most efficient, reliable, and user-friendly filter positioning it in the market for the best return on investment.

Advantages

Better Water: 30% more volume of filtration bed compared to other filters in the market improves the filtration quality.

Less Backwash: The high volume of filtration bed allows the filter to trap more dirt and as a result, less frequency of backwash is required.

User-friendly: Easy to install, maintain and replace. Affordable spare parts available.

High compatibility: The filter and its components are compatible with all different kinds of pool applications.

Robust Performance: HDPE filter body provides the best protection under any extreme weather conditions.

Volumetric Filter is equipped with:

1. 6-way clamp style multiport valve
—MPV08)
2. universal standard of union connection
3. pressure gauge
4. ABS lateral system



Model:
T450

Model:
T500



ULTIMATE FILTER PERFORMANCE

Professional approach for creating better water

1. 6-Way Multiport Valve
Unique design allows tool-free service and maintenance

2. Filtration Bed
30% higher filtration bed for better water quality

3. Drain Cover
Robust and reliable to reduce and maintenance costs

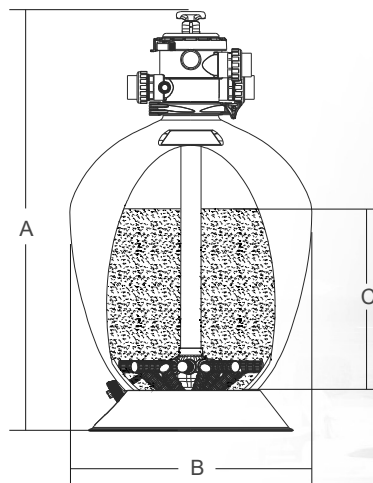
4. Handy Clamp Lock
The valve to simplify installation and plumbing work

5. Filter Tank
An innovative T-shaped filter tank is designed for better backwashing.

6. Double-Layered Lateral System
Benefits from uniform filtered water collection and provides thorough backwashing of the filter media

Product Dimension:

Model	A mm	B mm	C mm
T450	964	457	353
T500	1040	508	400
T600	1090	610	457
T700	1180	711	516
T600B	1142	610	457
T700B	1232	711	516



Technical Information

Code	Model	Filter Area (m ²)	Valve Connections	Max Flow Rate	Sand (kg)
88016003	T450	0.16	1.5" / 50mm	8.0m ³ /h	75
88016004	T500	0.20	1.5" / 50mm	10.0m ³ /h	95
88016046	T600	0.29	1.5" / 50mm	14.6m ³ /h	165
88016007	T700	0.39	1.5" / 50mm	19.5m ³ /h	200
88016047	T600B	0.29	2.0" / 63mm	14.6m ³ /h	165
88016008	T700B	0.39	2.0" / 63mm	19.5m ³ /h	200



Filter P SERIES SP SERIES

For above-ground and residential pools

Tank Material

HDPE

Max Operating Pressure

28 psi (2.0 bar)

Max Temperature

40°C (104°F)

Suggested Size of Media

0.5-0.8mm

LIGHT YET STRONG

P and SP Series Filters withstand many years of prolonged exposure to sunlight. The UV-resistant polyethylene HDPE tank has been well-received by the industry, not only because of the durability of the material, but also due to its reliable performance and economy.

P Series Filter is equipped with :

1. 6-way clamp style multiport valve (1.5"MPV01)
2. universal standard of union connection
3. pressure gauge
4. lateral system

Model:
P650

SP Series Filter is equipped with :

1. 6-way multiport valve (5"MPV03)
2. universal standard of union connection
3. piping kit
4. pressure gauge
5. lateral system

Model:
SP500

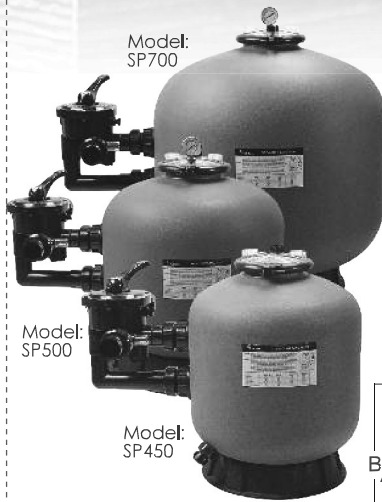
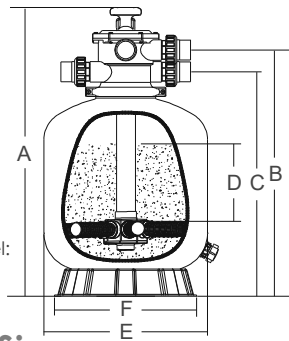




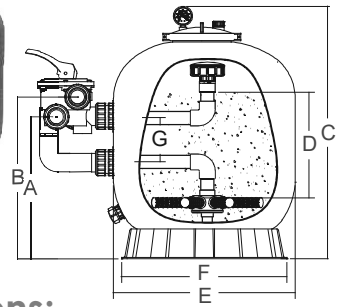
DURABLE POLYETHYLENE FILTER



P Series Top Mount Filters



SP Series Side Mount Filters



Product Dimensions:

Model	A mm	B mm	C mm	D mm	E mm	F mm
P350	726	619	550	160	350	298
P400	757	640	590	175	400	390
P450	814	698	638	210	449	390
P500	845	730	670	235	527	500
P650	950	835	775	300	627	500
P700	1020	905	845	330	703	500

Technical Information

Code	Model	Filter Area (m ²)	Valve Connections	Max Flow Rate	Sand (kg)
88011601	P350	0.10	1.5" / 50mm	72lpm 4.32m ³ /h	20
88011602	P400	0.13	1.5" / 50mm	102lpm 6.12m ³ /h	35
88011603	P450	0.16	1.5" / 50mm	130lpm 7.80m ³ /h	45
88011604	P500	0.22	1.5" / 50mm	180lpm 10.80m ³ /h	85
88011605	P650	0.31	1.5" / 50mm	255lpm 15.30m ³ /h	145
88011607	P700	0.39	1.5" / 50mm	320lpm 19.20m ³ /h	210

Product Dimensions:

Model	A mm	B mm	C mm	D mm	E mm	F mm	G mm
SP450	360	420	730	210	449	390	125
SP500	390	450	770	235	527	500	125
SP650	430	490	850	300	627	500	125
SP700	450	510	960	330	703	500	125

Technical Information

Code	Model	Filter Area (m ²)	Valve Connections	Max Flow Rate	Sand (kg)
88011703	SP450	0.16	1.5" / 50mm	130lpm 7.80m ³ /h	45
88011704	SP500	0.22	1.5" / 50mm	180lpm 10.80m ³ /h	85
88011705	SP650	0.31	1.5" / 50mm	255lpm 15.30m ³ /h	145
88011707	SP700	0.39	1.5" / 50mm	320lpm 19.20m ³ /h	210

Suggested sand weight varies with the differences in filter media size. For reference only.

Filter V SERIES S SERIES

For residential and semi-commercial pools

V Series Technical Information:

Tank Material

Bobbin Wound
Reinforced Fiberglass

Max Operating Pressure

36 psi (2.5 bar)

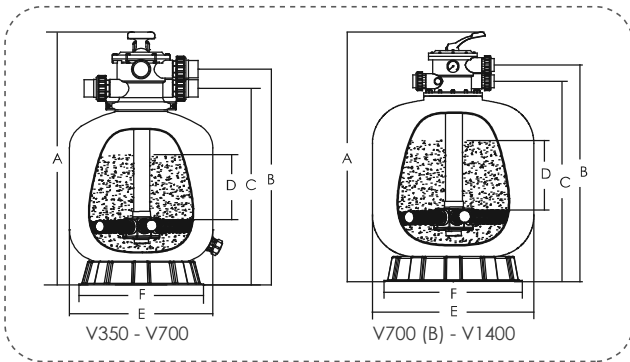
Max Temperature

43°C (109°F)

Suggested Size of Media

0.5-0.8mm

Code (2.5 Bar)	Code (4 Bar)	Model	Filter Area (m ²)	Valve Connections	Max Flow Rate	Sand (kg)
88010101	/	V350	0.09	1.5" / 50mm	72lpm 4.32m ³ /h	20
88010102	/	V400	0.13	1.5" / 50mm	108lpm 6.48m ³ /h	35
88010103	/	V450	0.16	1.5" / 50mm	135lpm 8.10m ³ /h	45
88010104	/	V500	0.22	1.5" / 50mm	185lpm 11.10m ³ /h	85
88010105	/	V650	0.32	1.5" / 50mm	260lpm 15.60m ³ /h	145
88010106	/	V650(PB)	0.32	2.0" / 63mm	267lpm 16.00m ³ /h	145
88010606	/	V650(B)	0.32	2.0" / 63mm	267lpm 16.00m ³ /h	145
88010107	/	V700	0.40	1.5" / 50mm	325lpm 19.50m ³ /h	210
88010608	/	V700(B)	0.41	2.0" / 63mm	336lpm 20.16m ³ /h	215
88010609	/	V800	0.50	2.0" / 63mm	415lpm 24.90m ³ /h	355
88010610	88015610	V900	0.64	2.0" / 63mm	520lpm 31.20m ³ /h	470
88010650	88015650	V900(C)	0.64	2.5" / 75mm	533lpm 32.00m ³ /h	470
88010611	88015611	V1000	0.79	2.0" / 63mm	650lpm 39.00m ³ /h	620
88010651	88015651	V1000(C)	0.79	2.5" / 75mm	658lpm 39.50m ³ /h	620
88010613	88015613	V1200	1.13	2.0" / 63mm	860lpm 51.60m ³ /h	860
88010652	88015652	V1200(C)	1.13	2.5" / 75mm	941lpm 56.50m ³ /h	860
88010614	88015614	V1400	1.54	2.5" / 75mm	1155lpm 69.30m ³ /h	1400



V Series Product Dimensions:

Model No	A mm	B mm	C mm	D mm	E mm	F mm
V350	726	619	550	160	355	298
V400	757	640	590	175	410	390
V450	814	698	638	210	455	390
V500	845	730	670	235	535	500
V650, V650PB	950	835	775	300	635	500
V650(B)	957	815	731	300	635	500
V700	1020	905	845	330	710	500
V700(B)	1092	960	877	390	723	500
V800	1200	1085	1002	425	800	780
V900	1300	1172	1090	480	900	780
V900(C)	1334	1242	1145	480	900	780
V1000	1400	1340	1260	580	1000	780
V1000(C)	1434	1410	1160	580	1000	780
V1200	1600	1550	1468	740	1200	1000
V1200(C)	1634	1620	1368	740	1200	1000
V1400	1845	1683	1586	750	1400	1000



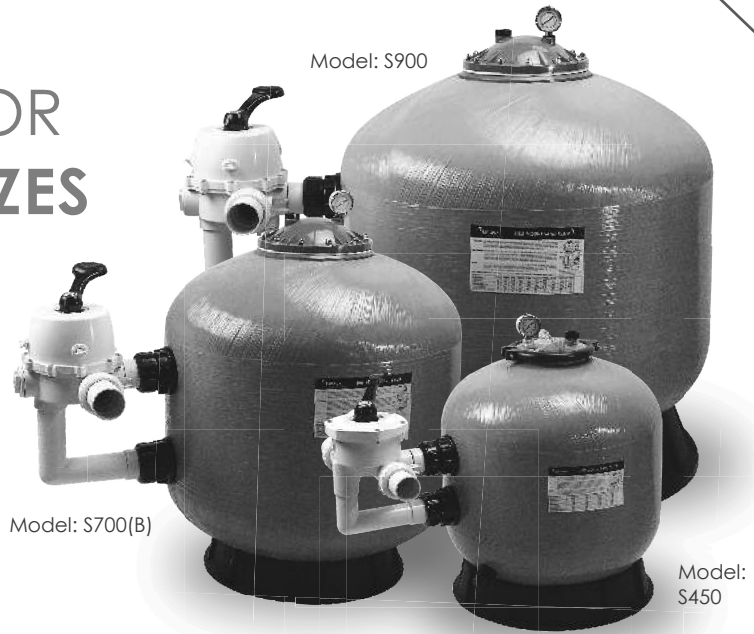
V Series Filter is equipped with :

1. 6-way clamp/bolt style multiport valve
2. universal standard of union connection
3. pressure gauge
4. lateral system



WIDEST CHOICES FOR DIFFERENT POOL SIZES

The bobbin-wound filter is manufactured by computerized fiberglass filament winding technology. This provides the mechanical strength of the filter tank and its ability to withstand pressure. V Series and S Series are manufactured by automatic bobbin winding technology from long-lasting and non-corrosive fiberglass and resin. The UV resistant composites allow the filter to resist extreme weather conditions for a long working life without corrosion.



S Series Filter is equipped with :

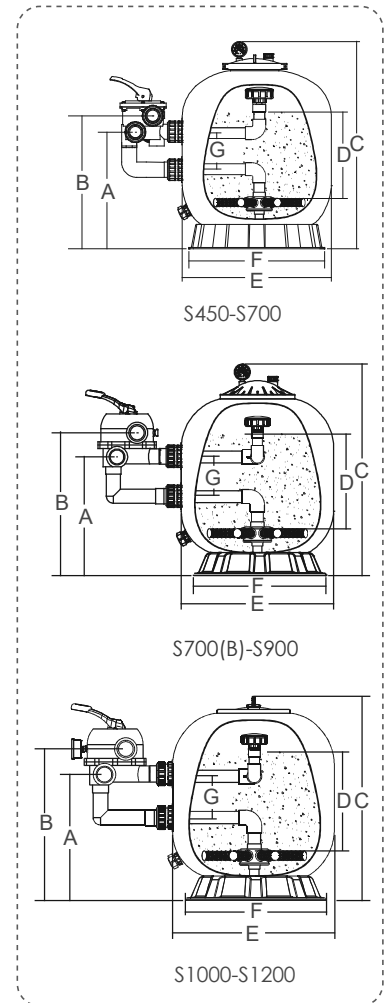
1. 6-way multiport valve (6-WAY MULTI-PORT VALVE)
2. universal standard of union connection
3. piping kit
4. pressure gauge
5. lateral system

S Series Technical Information:

Code (2.5 Bar)	Code (4 Bar)	Model	Filter Area (m ²)	Valve Connections	Max Flow Rate	Sand (kg)
88010703	/	S450	0.16	1.5" / 50mm	135lpm 8.1m ³ /h	45
88010704	/	S500	0.22	1.5" / 50mm	185lpm 11.10m ³ /h	85
88010705	/	S650	0.32	1.5" / 50mm	260lpm 15.60m ³ /h	145
88010707	/	S700	0.40	1.5" / 50mm	325lpm 19.50m ³ /h	210
88011208	/	S700(B)	0.41	2.0" / 63mm	336lpm 20.16m ³ /h	215
88011209	/	S800	0.53	2.0" / 63mm	435lpm 24.10m ³ /h	355
88011210	9011105	S900	0.66	2.0" / 63mm	495lpm 29.70m ³ /h	470
88011250	9011108	S900(C)	0.66	2.5" / 75mm	550lpm 33.00m ³ /h	470
88011311	9011307	S1000	0.82	2.0" / 63mm	670lpm 40.20m ³ /h	620
88011351	9011308	S1000(C)	0.82	2.5" / 75mm	683lpm 41.00m ³ /h	620
88011313	9011309	S1200	1.13	2.0" / 63mm	880lpm 52.80m ³ /h	860
88011352	9011310	S1200(C)	1.13	2.5" / 75mm	975lpm 58.50m ³ /h	860

S Series Product Dimensions:

Model No	A mm	B mm	C mm	D mm	E mm	F mm	G mm
S450	360	420	730	210	455	390	125
S500	390	450	770	235	535	500	125
S650	430	490	850	300	635	500	125
S700	450	510	960	330	710	500	125
S700(B)	520	606	890	390	723	500	220
S800	560	646	1050	425	820	780	220
S900	610	696	1180	480	920	780	220
S900(C)	673	744	1180	380	920	780	236
S1000	700	770	1220	580	1020	780	220
S1000(C)	773	844	1220	480	1020	780	236
S1200	820	1005	1410	740	1200	1000	220
S1200(C)	836	1079	1410	640	1200	1000	236



Suggested sand weight varies with the differences in filter media size. For reference only.

Gelcoat Filter **TMG SERIES** **SMG SERIES**

For residential and commercial pools

Tank Material

Gelcoat Fiberglass

Max Operating Pressure

36 psi (2.5 bar)

Max Temperature

43°C (109°F)

Suggested Size of Media

0.5-0.8mm

COMBINATION OF QUALITY AND ELEGANCE

Emaux Gelcoat Filters are produced by skilled workers and experienced engineers in modern manufacturing facilities. Each product is subject to a 100% inspection at every production stage and a strict hydrostatic pressure test. In order to achieve their best performance, 20,000 cycle tests were conducted to determine the

TMG Series Technical Information

Code	Model	Filter Area (m ²)	Valve Connections	Max Flow Rate	Sand (kg)
88015504	TMG500	0.20	1.5" / 50mm	167lpm 10.0m ³ /h	88
88015505	TMG650	0.33	1.5" / 50mm	275lpm 16.5m ³ /h	158
88015506	TMG650(B)	0.33	2.0" / 63mm	275lpm 16.5m ³ /h	158
88015563	TMG750	0.44	2.0" / 63mm	366lpm 22.0m ³ /h	260
88015564	TMG900	0.64	2.0" / 63mm	533lpm 32.0m ³ /h	422

TMG Series Product Dimensions

Model	A mm	B mm	C mm	D mm	E mm	F mm
TMG500	886	750	693	286	390	500
TMG650	998	862	805	318	500	650
TMG650(B)	1034	887	821	251	500	650
TMG750	1159	1029	945	393	500	750
TMG900	1294	1163	1080	450	780	900



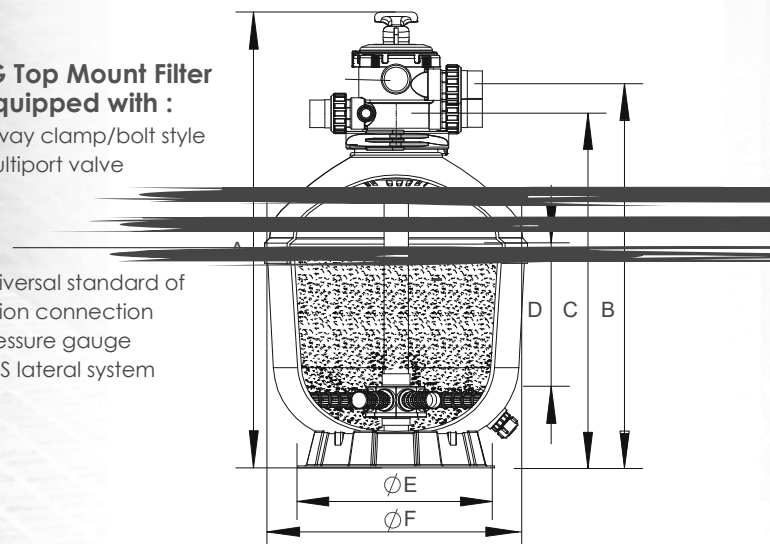
Model:
TMG750

Model:
TMG650

Model:
TMG500

TMG Top Mount Filter is equipped with :

1. 6-way clamp/bolt style multiport valve
2. universal standard of union connection
3. pressure gauge
4. ABS lateral system





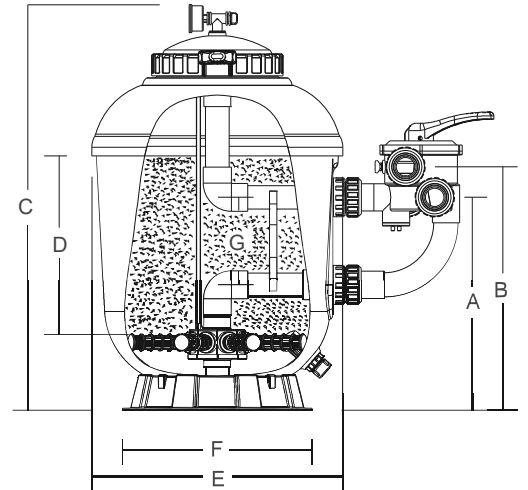
Gelcoat Filter cont'd on next page

Advantages

1. Non corrosive gelcoat fiberglass tank with smooth finish
2. Can be produced in different colours for choice of appearance
3. SMG: Curved valve connecting elbow reduces head loss
4. SMG: Transparent lid provides clear view of filter media, and an air release valve allows trapped air to be evacuated

SMG Series Technical Information

Code	Model	Filter Area (m ²)	Valve Connections	Max Flow Rate	Sand (kg)
88014004	SMG500	0.20	1.5" / 50mm	167lpm 10.0m ³ /h	100
88014005	SMG650	0.33	1.5" / 50mm	275lpm 16.5m ³ /h	150
88014063	SMG750	0.44	2.0" / 63mm	369lpm 22.1m ³ /h	250
88014064	SMG900	0.64	2.0" / 63mm	531lpm 31.8m ³ /h	375



SMG Series Product Dimensions:

Model	A mm	B mm	C mm	D mm	E mm	F mm	G mm
SMG500	424	487	845	360	516	390	180
SMG650	472	535	943	380	666	500	180
SMG750	517	603	1015	440	770	500	220
SMG900	583	669	1165	480	920	780	220

SMG Side Mount Filter is equipped with :

1. 6-way multiport valve
2. universal standard of union connection
3. pressure gauge
4. ABS lateral system
5. piping kit



cont'd from previous page Gelcoat Filter

For semi-commercial pool / commercial hot spa

Tank Material

Gelcoat Fiberglass

Max Operating Pressure

36 psi (2.5 bar)

Max Temperature

43°C (109°F)

Suggested Size of Media

0.5-0.8mm

Model: SMG1050C



Technical Information

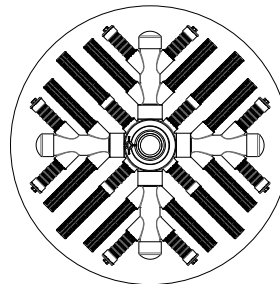
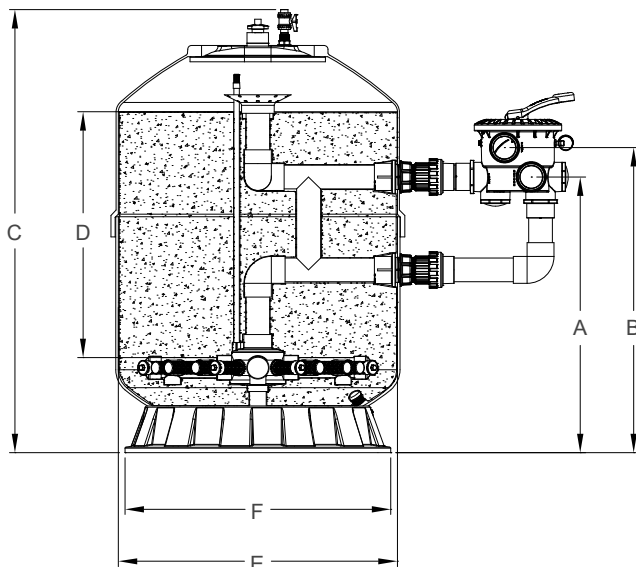
Code	Model	Filter Area (m ²)	Valve Connections	Max Flow Rate	Sand (kg)
9011607	SMG1050C	0.86	2.5" / 75mm	717lpm 43.0m ³ /h	1200
9011605	SMG1050	0.86	3.0" / 90mm	717lpm 43.0m ³ /h	1200
9011606	SMG1200	1.13	3.0" / 90mm	942lpm 56.5m ³ /h	1600

Product Dimensions

Model	A mm	B mm	C mm	D mm	E mm	F mm
SMG1050C	687	784	1686	1000	1050	1000
SMG1050	1047	1157	1686	1000	1050	1000
SMG1200	1040	1150	1724	1000	1200	1000

SMG Commercial Side Mount Filter is equipped with :

1. 6-way multiport valve
2. universal standard of union connection
3. pressure gauge
4. PVC & ABS lateral system
5. piping kit



Laterals



Filter SR SERIES

RING LOCK LID FOR EASY MAINTENANCE

For residential and semi-commercial pools

Tank Material

**Bobbin Wound
Reinforced Fiberglass**

Max Operating Pressure

36 psi (2.5 bar)

Max Temperature

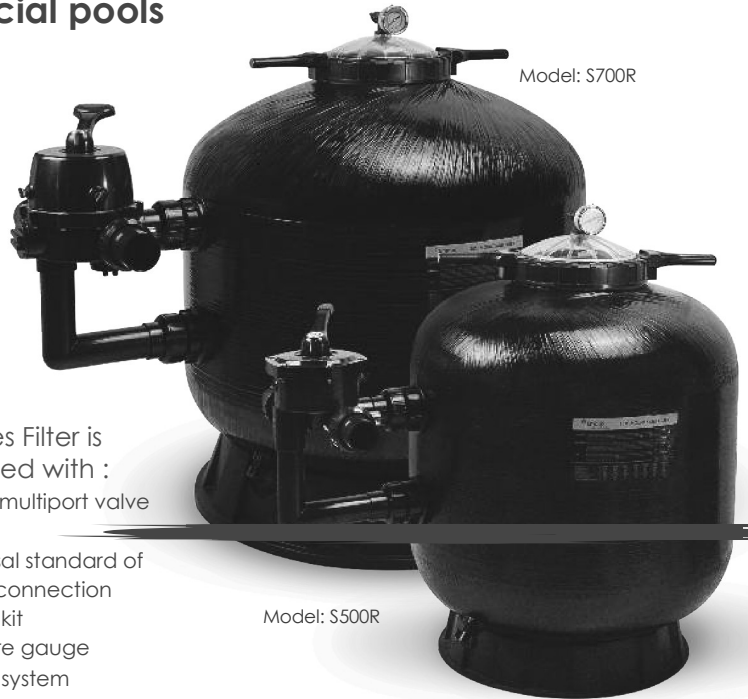
43°C (109°F)

Suggested Size of Media

0.5-0.8mm



Special ring lock design - simple and easy operation



- SR Series Filter is equipped with :
1. 6-way multiport valve
 2. universal standard of union connection
 3. piping kit
 4. pressure gauge
 5. lateral system

SR Series Ring Lock Filter includes a bobbin-wound fiberglass reinforced tank. With a UV-resistant surface finish, it is able to operate under prolonged sunlight for years of reliability. The transparent lid is designed for easy inspection of the sand bed. Without using any tools, the lid can be removed by turning the specially designed ring-lock, making maintenance much easier.

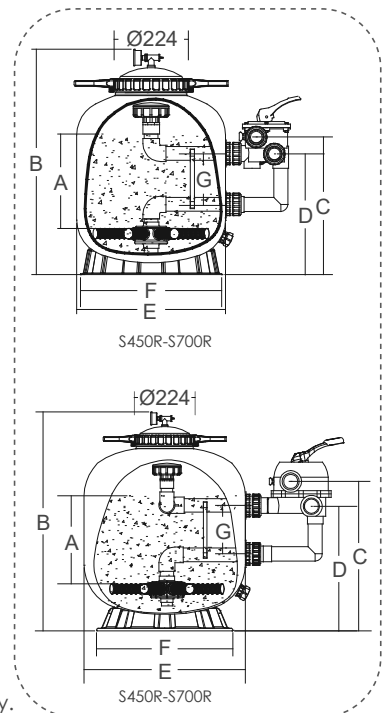
Technical Information:

Code	Model	Filter Area (m²)	Valve Connections	Max Flow Rate	Sand (kg)
88011103	S450R	0.16	1.5" / 50mm	135lpm 8.10m3/h	45
88011104	S500R	0.22	1.5" / 50mm	185lpm 11.10m3/h	85
88011105	S650R	0.32	1.5" / 50mm	260lpm 15.60m3/h	145
88011107	S700R	0.40	1.5" / 50mm	325lpm 19.50m3/h	210
88011108	S700R(B)	0.41	2.0" / 63mm	336lpm 20.16m3/h	215
88011109	S800R	0.53	2.0" / 63mm	435lpm 24.10m3/h	355
88011110	S900R	0.66	2.0" / 63mm	550lpm 33.00m3/h	470

Product Dimensions:

Model	A mm	B mm	C mm	D mm	E mm	F mm	G mm
S450R	250	760	498	435	455	390	180
S500R	290	825	513	450	535	500	180
S650R	310	890	568	505	635	500	180
S700R	320	920	573	510	723	500	180
S700R(B)	350	920	611	525	723	500	220
S800R	380	1020	696	610	820	780	220
S900R	410	1130	741	655	920	780	220

Suggested sand weight varies with the differences in filter media size. For reference only.



Life Series Aquaculture Filter

For koi pond, aquaculture, and aquarium

Tank Material

Bobbin-Wound
Reinforced Fiberglass

Max Operating Pressure

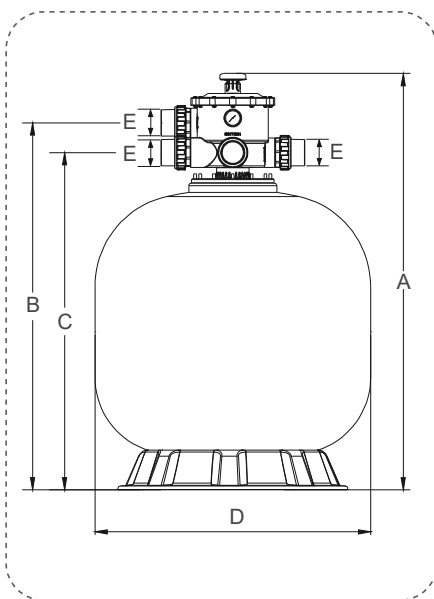
36 psi (2.5 bar)

Max Temperature

43°C (109°F)

Suggested Media

Biological Media



EXCLUSIVE FILTRATION AND BACKWASH RESULT

Biological Filtration System is environmentally friendly with good filtration and backwash performance. It solves the traditional problems of sand agglomeration in the tank. Designed not only with a modern appearance, but it also significantly reduces the size of the filtration system compared to traditional installations.

Technical Information and Dimension:

Emaux Bio-ring media is included with each filter

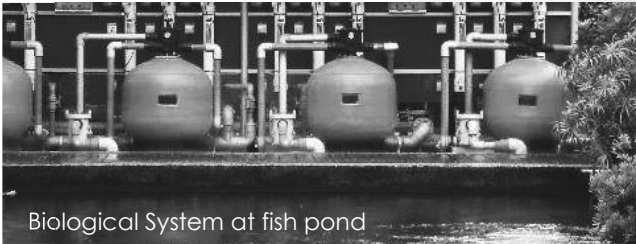
Code	Model	Pond Volume(m ³)	Valve Connection	Max Flow Rate	Biological media(kg)	A mm	B mm	C mm	D mm
88015966	LF700	30	2.5" / 75mm	230lpm 14m ³ /h	30	1126	1030	933	723
88015967	LF800	40	2.5" / 75mm	300lpm 18m ³ /h	45	1234	1155	1058	800
88015968	LF900	50	2.5" / 75mm	350lpm 21m ³ /h	60	1334	1242	1145	900

Suggested sand weight varies with the differences in filter media size. For reference only.



About Biological Filtration

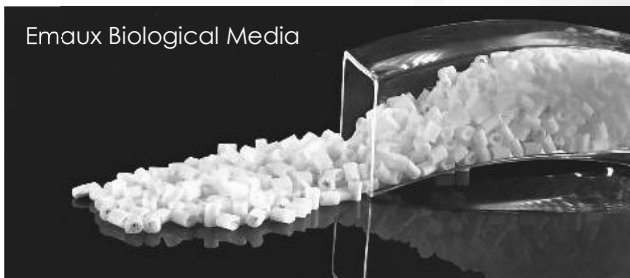
Biological filtration takes place when the beneficial bacteria breed inside the special filtration media in the tank. These bacteria efficiently convert the ammonia to nitrites, and then to less harmful nitrates.



Biological System at fish pond

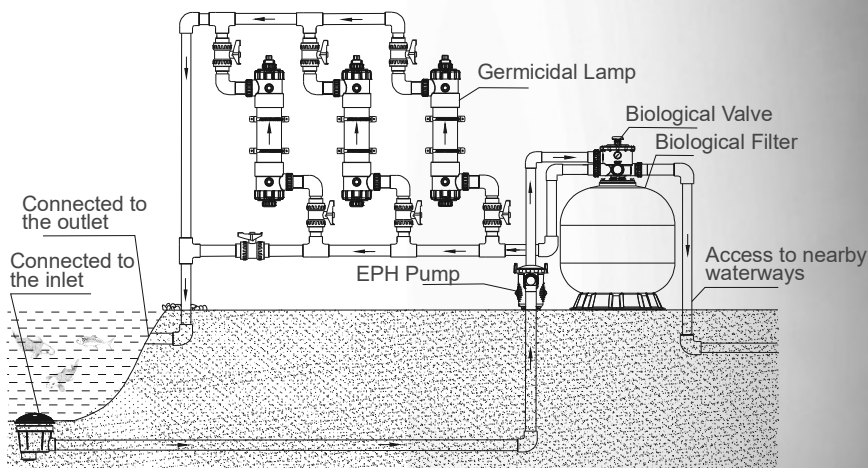
About Physical Filtration

When water passes through the filter tank, large particles are trapped by the biological filter media. The small particles are also blocked by the linked biological filter media. After certain period of time, those particles accumulate and the pressure inside the tank increases. The particles can be cleared and the pressure released by backwashing the tank.



Emaux Biological Media

Typical Installation



Deep Bed Filter **SDB SERIES**

For residential and commercial pools

Tank Material

**Bobbin Wound
Reinforced Fiberglass**

Max Operating Pressure

36 psi (2.5 bar)

Max Temperature

43°C (109°F)

Suggested Size of Media

0.5-0.8mm

With its 1.0m or 1.2m deep sand bed and dual laterals, SDB Series Side Mount Deep Bed Filter offers an enhanced filtration and provides a high performance solution for residential and commercial pools and spas. It is UV- resistant and can operate under prolonged sunlight.



Manhole



Sightglass



Technical Information:

Code	Model	Filter Area (m ²)	Valve Connections	Max Flow Rate		Sand (kg)
88013835	SDB700-1.0	0.38	2.0" / 63mm	253lpm	15.20m3/h	580
88013836	SDB700-1.2	0.38	2.0" / 63mm	253lpm	15.20m3/h	696
88013837	SDB800-1.0	0.50	2.0" / 63mm	333lpm	20.00m3/h	769
88013838	SDB800-1.2	0.50	2.0" / 63mm	333lpm	20.00m3/h	914
88013839	SDB900-1.0	0.63	2.0" / 63mm	420lpm	25.20m3/h	957
88013840	SDB900-1.2	0.63	2.0" / 63mm	420lpm	25.20m3/h	1146
88013853	SDB900(C)-1.0	0.63	2.5" / 75mm	525lpm	25.20m3/h	957
88013854	SDB900(C)-1.2	0.63	2.5" / 75mm	525lpm	25.20m3/h	1146
88013841	SDB1000-1.0	0.78	2.0" / 63mm	520lpm	31.20m3/h	1204
88013842	SDB1000-1.2	0.78	2.0" / 63mm	520lpm	31.20m3/h	1436
88013855	SDB1000(C)-1.0	0.78	2.5" / 75mm	650lpm	31.20m3/h	1204
88013856	SDB1000(C)-1.2	0.78	2.5" / 75mm	650lpm	31.20m3/h	1436

SDB Series Filter is equipped with :

1. 6-way multiport valve (2"MPV04, 2.5"MPV13)
2. universal standard of union connection
3. piping kit
4. pressure gauge
5. dual layers of laterals
6. accessories: Ø4" Sight glass, Ø158mm manhole for servicing, Ø1.5" bottom drain



Dual Lateral System



Bottom Drain

Product Dimensions:

Model No	A mm	B mm	C mm	D mm	E mm	F mm	G mm	H mm	I mm
SDB700-1.0	510	750	844	987	1270	1672	700	1000	680
SDB700-1.2	510	750	844	987	1470	1872	700	1200	680
SDB800-1.0	510	750	838	981	1270	1702	800	1000	740
SDB800-1.2	510	750	838	981	1470	1902	800	1200	740
SDB900-1.0	515	870	857	1000	1270	1735	900	1000	860
SDB900-1.2	515	870	857	1000	1470	1935	900	1200	860
SDB900(C)-1.0	515	834	931	1083	1270	1735	900	1000	860
SDB900(C)-1.2	515	834	931	1083	1470	1938	900	1200	860
SDB1000-1.0	515	870	971	1114	1270	1813	1000	1000	960
SDB1000-1.2	515	870	971	1199	1470	2013	1000	1200	960
SDB1000(C)-1.0	515	1033	1045	1282	1270	1813	1000	1000	960
SDB1000(C)-1.2	515	1033	1045	1282	1470	2013	1000	1200	960

