

# E.SYBOX

## ELECTRONIC PRESSURISATION SYSTEM



### TECHNICAL DATA

**Operating range:**

capacity up to 120 l/min; head up to 65 m.

**Liquid quality requirements:** clean, free from solid or abrasive contaminants, non-viscous, non-aggressive, uncrystallised and chemically neutral.

**Liquid temperature range:** from 0°C to +35°C for domestic use for other use: from 0°C to +40°C

**Maximum suction depth:** 8 metres - 7 metres 30/50 version

**Maximum ambient temperature:** +40°C

**Maximum operating pressure:** 8 bar (800 kPa)

**Motor protection rating:** IPX4

**Insulation class:** F

**Insulation class:** Horizontal or vertical fixed position

**Special executions on request:** alternative voltages and/or frequencies.

### APPLICATIONS

E.SYBOX is DAB's integrated electronic water pressurisation system for domestic and residential use. The E.SYBOX inverter system provides the comfort of constant water pressure, while saving energy too. Suitable for use for potable water, in domestic plants for gardening and irrigation. Suitable for creating groups of up to 4 pumps. E.SYBOX requires no additional components for installation.

### FEATURES

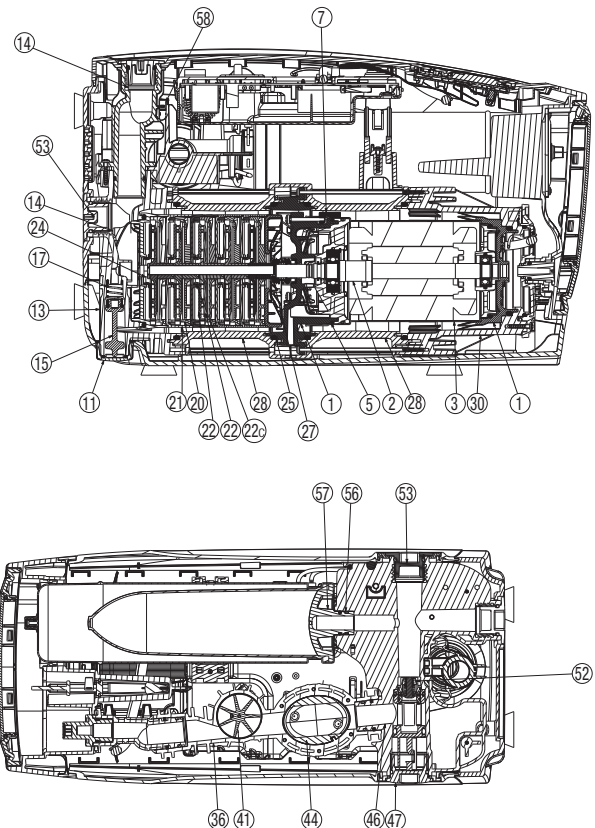
E.SYBOX comprises a self-priming, multi-stage pump with electronic inverter management, pressure and flow sensors, adjustable, high resolution LCD display and an integrated 2 litre expansion tank. May be installed either vertically or horizontally, in closed spaces without high level of air exchange. The accessories (e.sywall, e.sydock, e.sytwin, e.sytank) permit several installation possibilities.

The water-cooled motor, the protective and sound damping ABS hull, the anti-vibration feet and its electronics make this compact product very quiet (45dB under normal use). The wireless system enables the creation of other pressurisation groups able to connect with other DAB devices (eg. e.sylink).

### MATERIALS

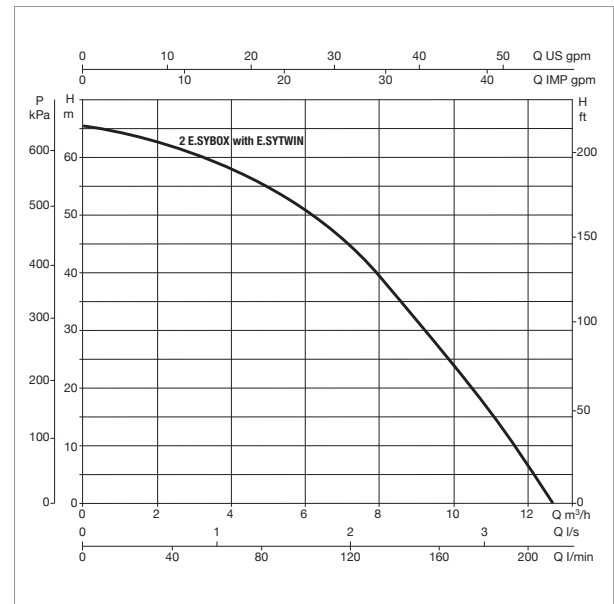
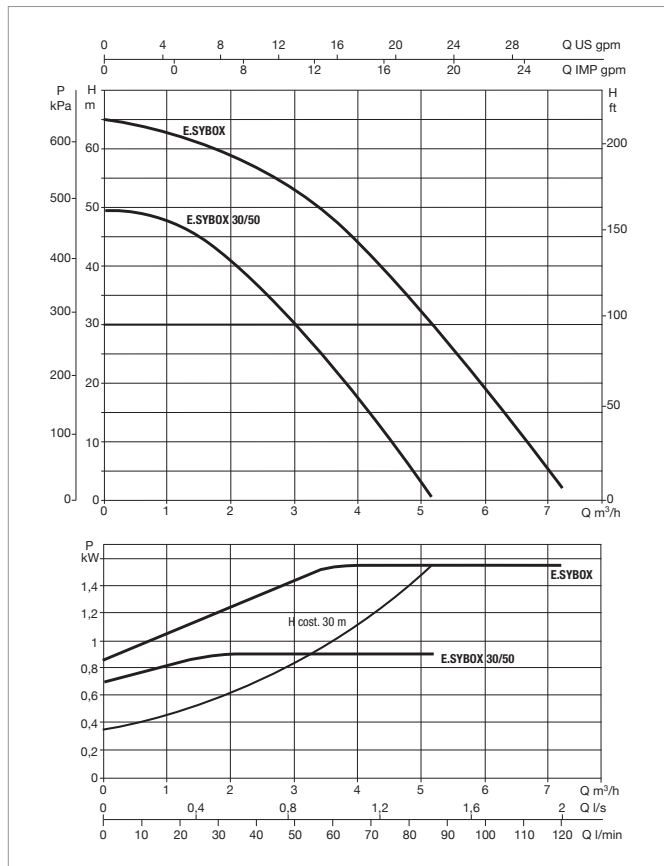
N°	PARTS *	MATERIALS
1	MOTOR FLANGE	TECHNOPOLYMER
2	ROTOR SHAFT	AISI 303 STAINLESS STEEL
3	MOTOR JACKET	AISI 304 STAINLESS STEEL
5	OR GASKET	NBR
7	SINTERED PLATE	AISI 304 STAINLESS STEEL
11	1" PLUG	TECHNOPOLYMER
13	SUCTION BODY	TECHNOPOLYMER
14	1" INSERT	NICKLED BRASS
15	SHUTTER	TECHNOPOLYMER
17	SPRING	AISI 303 STAINLESS STEEL
20	DIFFUSER	TECHNOPOLYMER
21	DIFFUSER BODY	TECHNOPOLYMER
22	IMPELLER	TECHNOPOLYMER
22c	SHIM RING	AISI 316 STAINLESS STEEL
24	NUT	AISI 316 STAINLESS STEEL
25	DIFFUSER END PLUG	TECHNOPOLYMER
27	MECHANICAL SEAL	CARBON IMPREGNATED RESIN/ SILICON CARBIDE / EPDM
28	PUMP BODY	TECHNOPOLYMER
30	DISCHARGE BODY	TECHNOPOLYMER
36	FLOW SWITCH BODY	TECHNOPOLYMER
41	PRESS. STABLE. IMPELLER	TECHNOPOLYMER
46	DISCHARGE MANIFOLD	TECHNOPOLYMER
47	1"1/4 PLUG	TECHNOPOLYMER
52	NON-RETURN VALVE	TECHNOPOLYMER/RUBBER/STEEL
57	TANK	TECHNOPOLYMER/RUBBER
58/1	PRESSURE SENSOR BODY	TECHNOPOLYMER

\* In contact with liquid



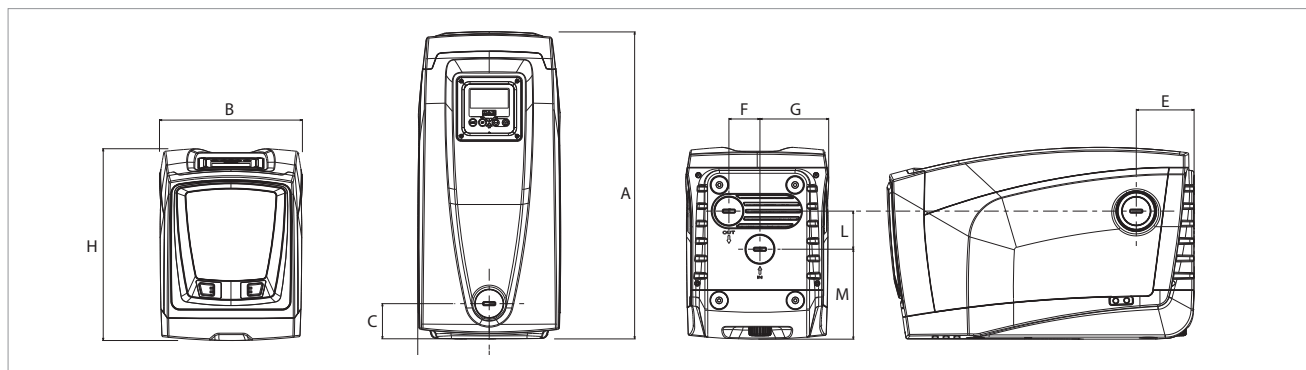
# E.SYBOX - ELECTROIC PRESSURISATION SYSTEM FOR DOMESTIC WATER SUPPLY

Liquid temperature range: from 0°C to +35°C for domestic use - from 0°C to +40°C for other uses. - Maximum ambient temperature: +40°C



Performance refers to 2 assembled e.sybox in e.sytwin. Pressure losses included

The performance curves are based on the kinematic viscosity values = 1 mm²/s and density equivalent to 1000 kg/m³. Curve tolerance according to ISO 9906.



MODEL	Q=m³/h	0	0.6	1.2	1.8	2.4	3	3.6	4.2	4.8	5.4	6	6.6	7.2
		Q=l/min	0	10	20	30	40	50	60	70	80	90	100	110
E.SYBOX	H (m)	65	63.5	62	59.5	57	53	48	41.5	35	27.5	19	10	2
E.SYBOX 30/50		50	49.5	47	43	37	30.5	23	14.5	6				

MODEL	ELECTRICAL DATA				
	N° IMPELLER	POWER SUPPLY 50/60 Hz	P1 MAX		In A
			kW	HP	
E.SYBOX	5	1 x 220 - 240V ~	1.55	2.11	10
E.SYBOX 30/50	3	1 x 220 - 240V ~	0.9	1.22	6.8

MODEL	A	B	C	D	E	F	G	I Ø	H	L	M	DNA	DNM	PACK DIMENSIONS			GROSS Kg
														L/A	L/B	H	
E.SYBOX	564	263	65	131.5	106	57	126.2	9	362	70	165.2	1"	1"	685	360	490	27
E.SYBOX 30/50	564	263	65	131.5	106	57	126.2	9	362	70	165.2	1"	1"	685	360	490	24

# ACCESSORIES

E.SYBOX

		MODEL
 <p>293L x 318P x 180H</p>	<h2>e.sydock</h2> <p>Because of the 4 hydraulic configurations available, installation is faster easier and more flexible. All required interfaces for connection to the plant are included. e.sybox quiet operation ids ensured by the anti-vibration feet included.</p>	
 <p>752L x 358P x 230H</p>	<h2>e.sytwinn</h2> <p>This is the natural evolution of e.sydock, keeping all of its benefits, for the creation of twin pump groups. It gives exceptional performance due to the combined operation with 50% smaller footprint than any equivalent system.</p>	
 <p>870L x 595P x 1663H</p>	<h2>e.sytank</h2> <p>Tank, designed to best join with e.sybox, is equipped with:</p> <ul style="list-style-type: none"> <li>• e.sydock (specific version) for quick connection.</li> <li>• suction tube with bottom valve</li> <li>• mains filler valve with float</li> <li>• overflow</li> <li>• discharge fittings</li> <li>• set up for ground anchor</li> <li>• inspection plug</li> </ul> <p>Capacity 480 litres net with expansion available on 3 sides.</p>	
	<h2>e.sywall</h2> <p>Kit includes brackets, screws, plugs and two accessories for vibration absorption.</p>	
 <p>E.SYLINK KIT</p> <p>E.SYLINK</p> <p>LOW PRESSURE SWITCH</p>	<h2>e.sylink</h2> <p>Accessory equipped with wireless 802.15.4 interface, created to enable E.SYBOX to use 4 digital inputs (pressure switch, float, etc.), control 2 relay outputs (alarms, etc.) with the possibility of connecting an auxiliary pressure sensor.</p>	



1" ¼ DISCHARGE AND SUCTION FITTINGS



293L x 345P x 679H



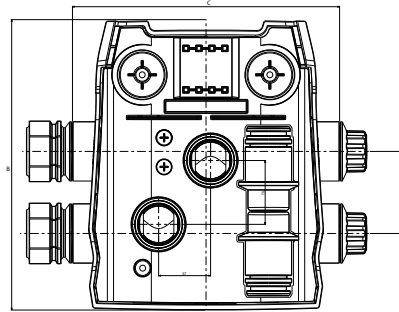
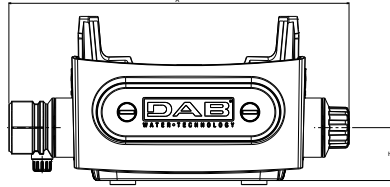
752L x 358P x 730H



# ACCESSORIES

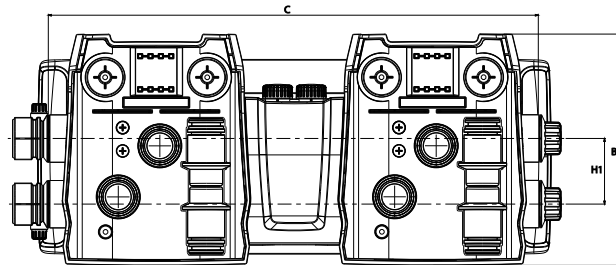
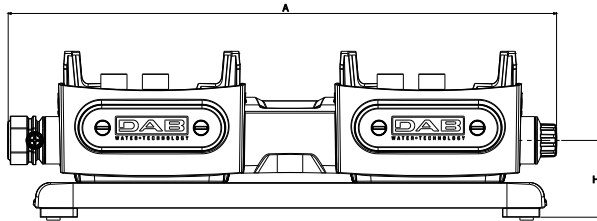
E.SYBOX

## E.SYDOCK



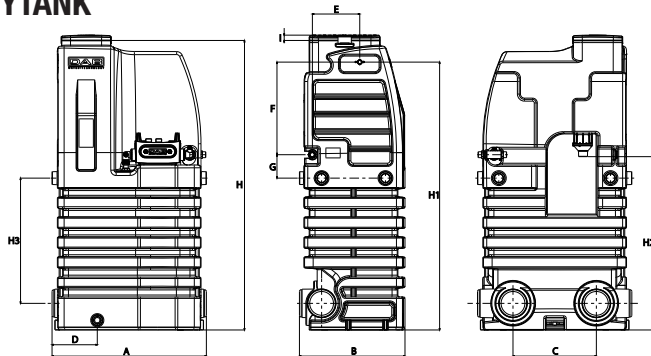
MODEL	A	B	C	H	H1	PACK DIMENSIONS			GROSS KG
						L/A	L/B	H	
E.SYDOCK	373	318.5	293	58	90	346	295	230	4

## E.SYTWIN

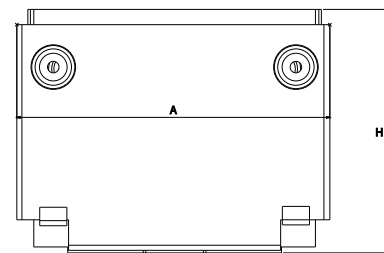


MODEL	A	B	C	H	H1	PACK DIMENSIONS			GROSS KG
						L/A	L/B	H	
E.SYTWIN - GAS	752	317	672	105.3	90	734	330	260	11.8

## E.SYTANK



## E.SYWALL



MODEL	A	B	C	D	E	F	G	H	H1	H2	H3	I
E.SYTANK	870	595	470	255	267	522	132	1632	1510	977	706	30

MODEL	a	H	PACK DIMENSIONS			GROSS KG
			L/A	L/B	H	
E.SYWALL	184.5	143.5	350	250	46	1

DESCRIPTION	PACK DIMENSIONS			GROSS KG
	L/A	L/B	H	
E.SYLINK - e.sylink + USB cable	150	148	98	0.22
E.SYLINK KIT - e.sylink + USB cable + 8DIN power box + power supply + 3 cable glands	275	360	200	1.9
E.SYLINK + PRESSURE SWITCH KIT - e.sylink KIT (see above) + low pressure switch kit	432	355	265	2.9